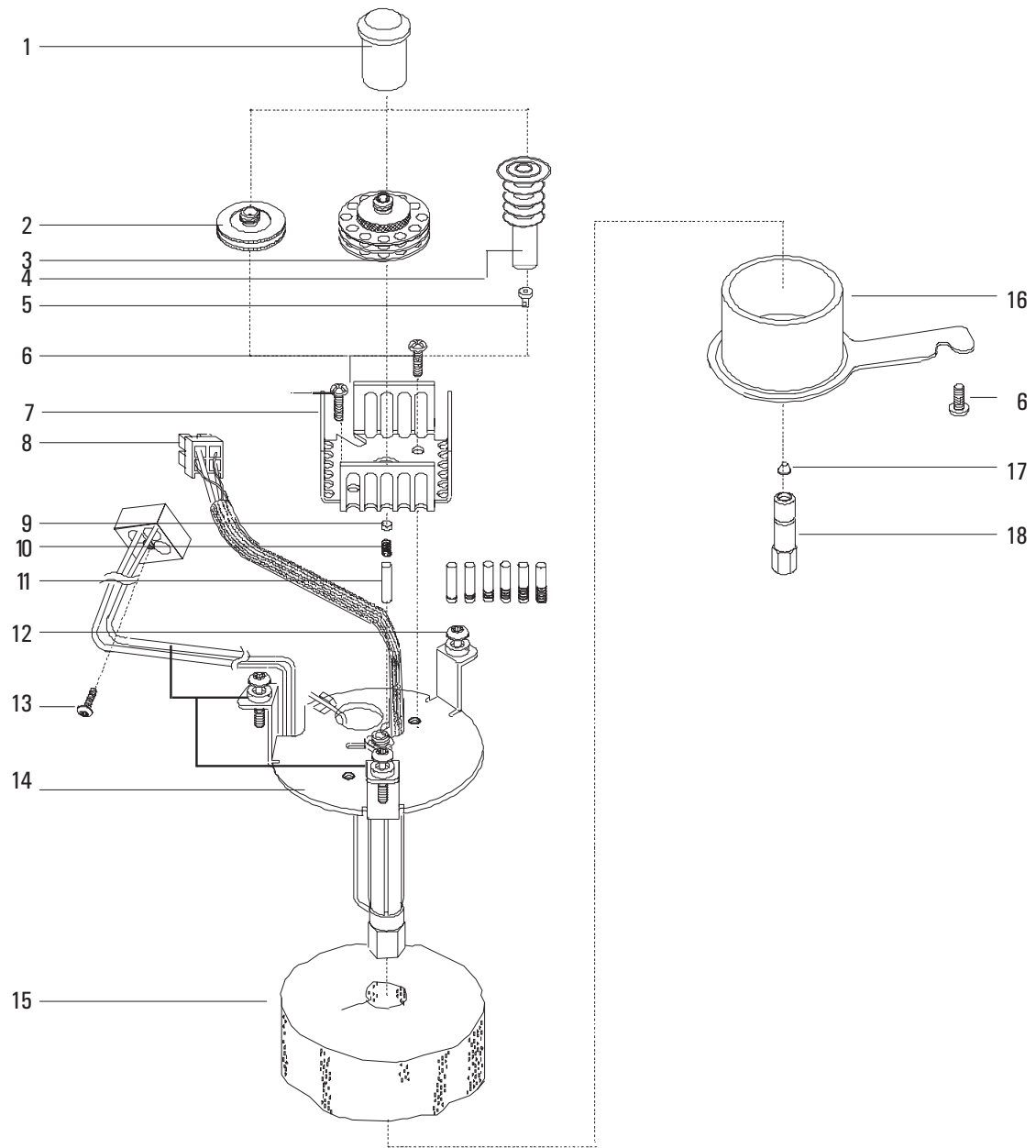


Programmable Cool On-Column Capillary Inlet

Description	HP Part No.	Qty.
1. Needle Guide Top (optional)	19245-20670	0
2. Septum Nut Base Assembly (short)	19245-80521	1
3. Septum Nut Base	G1545-80520	1
4. Manual Cooling Tower Assembly (optional)	19320-80625	1
5. Duckbill (for use with cooling tower, above)	19245-40050	10/pkg
6. Screw M4 x 8 Torx T20 chromeplate	0515-2711	3
7. Heatsink Fin	G1545-00010	1
8. Heater/Sensor Assembly	G1545-60520	1
9. Septa		
–Solid	5181-1261	25/pkg
–Thru-hole	5181-1260	25/pkg
10. Insert Spring	19245-60760	1
11. Inserts (identify by number of rings on insert):		
–Narrow Bore Insert; 200 u – 1 silver ring	19245-20510	0
–Wide Bore Insert; 320 u – 5 silver rings	19245-20525	1
–Megabore Insert; 530 u – 0 rings	19245-20580	1
–Capillary Insert (glass columns) – 3 silver rings	19245-20550	0
–AL Megabore – 4 rings	19245-20780	0
–250 u bore insert – 6 rings	19245-20515	1
12. T20 Screws (captive) M4 x 12 mm	1390-1023	3
13. T10 Torx M3 x 16-mm screw	1390-1022	1
14. Inlet Weldment	G1545-80507	1
15. Inlet Weldment Insulation	G1545-20630	1
16. Cavity Sleeve	19245-00060	1
17. Ferrules (identify by internal diameter):		
Solid Ferrule Plug (no hole)	5181-7458	1
Graphite Ferrule 0.5 mm ID	5080-8853	10/pkg
Graphite Ferrule 1.0 mm ID	5080-8773	10/pkg
18. Column Nut (Order No. 5181-8830 2/pkg)	18740-20870	1

Programmable Cool On-Column Capillary Inlet

**Figure 1310-9 Exploded diagram of the Programmable Cool On-column Inlet**